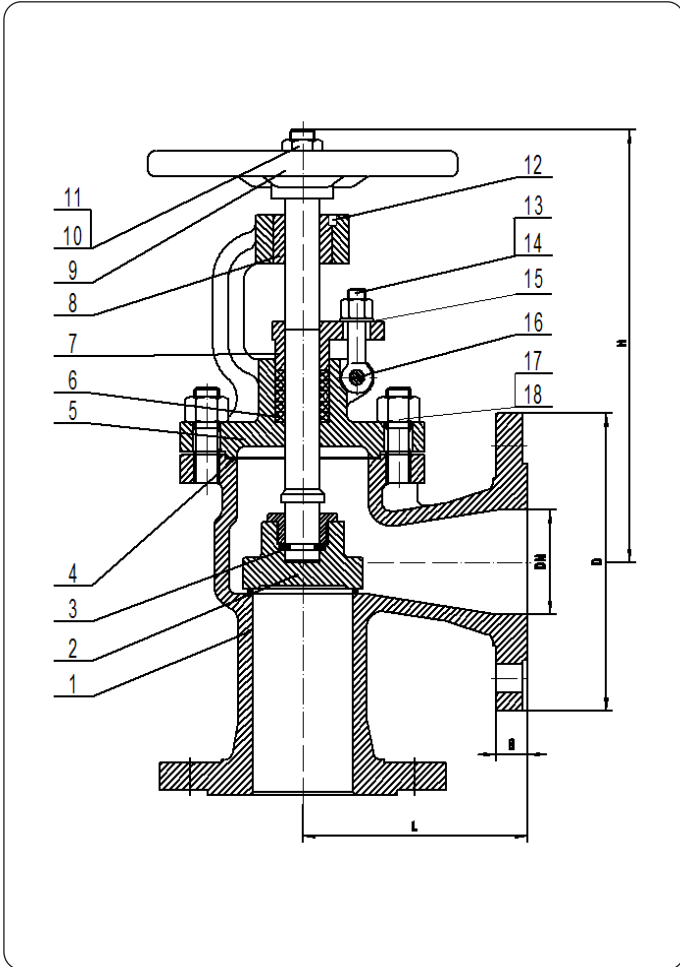


### 产品标准 standard features

- 产品描述  
**Description** BOLTED BONNET  
OUTSIDE SCREW AND YOKE  
RISING STEM  
RISING HANDWHEEL  
LOOSE DISC
- 设计标准  
**Design** EN13709
- 结构长度标准  
**Face to face** EN 558-1
- 法兰标准  
**Flanges** EN1092-B1
- 对焊连接标准  
**Butt welded** EN12627 AND DIN 3239
- 检验标准  
**Testing** DIN 3352 Part 1  
DIN 3230 Part 3
- 等级标准  
**Rating** DIN 2401
- 标识标准  
**Marking** EN 19  
CE - PED
- 证书标准  
**Certificates** EN 10204 - 3.1



零件名称 / PART NAME	材质 / MATERIAL		
1 阀体 / Body	1.0619(GS-C25)	1.4308(CF8)	1.4408(CF8M)
2 阀瓣 / Disc seat surface	X20Cr13(1)	1.4301(F304)+(1)	1.4401(F316)+(1)
* 阀座 / Seat surface	13Cr(1)	SS304+(1)	SS316+(1)
3 阀杆 / Stem	X20Cr13(2)	1.4301(F304)(2)	1.4401(F316)(2)
4 复合垫 / Gasket	S.S.+graphite/S.S.+柔性石墨(4)	S.S.+graphite/S.S.+柔性石墨(4)	S.S.+graphite/S.S.+柔性石墨(4)
* 上密封座 / Back seat (integral)	13Cr(1)	SS304+(1)	SS316+(1)
5 阀盖 / Bonnet	1.0619(GS-C25)	1.4308(CF8)	1.4408(CF8M)
6 填料 / Packing	Graphite / 柔性石墨(4)	Graphite / 柔性石墨(4)	Graphite / 柔性石墨(4)
7 填料压盖 / Gland	1.0619(GS-C25)	1.4308(CF8)	1.4408(CF8M)
8 阀杆螺母 / Stem nut	GGG40.3(3)	GGG40.3(3)	GGG40.3(3)
9 手轮 / Handwheel	Steel / 钢	Steel / 钢	Steel / 钢
10 垫片 / Shim	SS304	SS304	SS304
11 手轮螺帽 / Handwheel nut	SS304	SS304	SS304
12 螺丝钉 / Screw	CK35	CK35	CK35
13 活节螺栓 / Eye bolts	A193 B7	A193 B8	A193 B8M
14 螺母 / Nuts	A194 2H	A193 8	A193 8M
15 垫片 / Shim	CK35	SS304	SS304
16 活节螺栓销 / Eye bolt pin	CK35	CK35	A2-70
17 螺母 / Nuts	A193 B7	A193 B8	A193 B8M
18 螺栓 / Bolts	A194 2H	A193 8	A193 8M

(1) On request: faced with Stellite® - Monel® - Hastelloy® - other materials  
 (2) On request: 17 Cr - Monel® - Hastelloy® - other materials  
 (3) On request: Cu Alloy  
 (4) On request: PTFE - other materials

(1) 根据要求密封面可焊STL、蒙乃尔合金、哈氏合金等。  
 (2) 根据要求阀杆可采用18Cr、STL、蒙乃尔合金、哈氏合金等材质。  
 (3) 根据要求可采用铜螺母。  
 (4) 根据要求填料可换为PTFE等材质。

All data, subject to technical changes, are only for information and not for official use.



# 凯煌阀门

MANUFACTURER OF VALVES

## 德标角式截止阀 GLOBE VALVES SEAL90° ANGLE DIN PN16-PN25-PN40

**FIG. GV01 - GLOBE VALVES BOLTED BONNET DIN PN16-CAST STEEL-F1**

SIZE DN	15	20	25	32	40	50	65	80	100	125	150	200	250	300	350	400
L RF	90	95	100	105	115	125	145	155	175	200	225	275	325	375	425	475
D	95	105	115	140	150	165	185	200	220	250	285	340	405	460	520	580
W	120	140	140	140	160	160	180	200	250	250	350	450	500	500	600	600
H	196	196	205	205	222	224	240	265	350	380	410	550	715	790	950	1030
STROKE	8	8	10	10	15	16	18	22	28	34	40	60	75	85	100	115

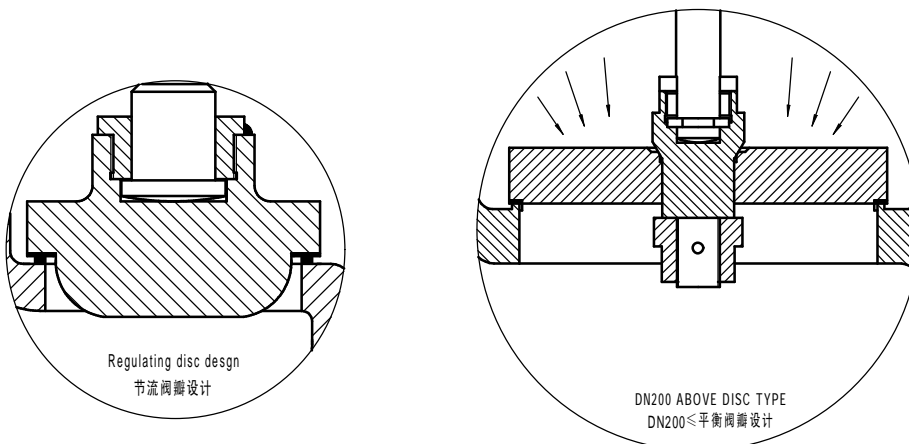
**FIG. GV02 - GLOBE VALVES BOLTED BONNET DIN PN25-F1**

SIZE DN	15	20	25	32	40	50	65	80	100	125	150	200	250	300	350	400
L RF/BW	90	95	100	105	115	125	145	155	175	200	225	275	325	375	425	475
D	95	105	115	140	150	165	185	200	235	270	300	360	425	485	555	620
W	140	140	160	160	180	180	200	250	300	350	400	500	500	500	600	600
H	196	196	205	205	222	224	240	265	350	380	410	550	715	790	950	1030
STROKE	8	8	10	10	15	16	18	22	28	34	40	60	75	85	100	115

**FIG. GV02 - GLOBE VALVES BOLTED BONNET DIN PN40-F1**

SIZE DN	15	20	25	32	40	50	65	80	100	125	150	200	250	300	350	400
L RF/BW	90	95	100	105	115	125	145	155	175	200	225	275	325	375	425	475
D	95	105	115	140	150	165	185	200	235	270	300	375	450	515	580	660
W	140	140	160	160	180	180	200	250	300	350	400	500	500	500	600	600
H	196	196	205	205	222	224	240	265	350	380	410	550	715	790	950	1030
STROKE	8	8	10	10	15	16	18	22	28	34	40	60	75	85	100	115

技术参数 / Technical parameters



新功能需求 / features on request

- TOP FLANGE TO ISO 5210 / 执行器连接法兰标准 : IOS5210
- GEAR OPERATOR / 齿轮操作
- CHAIN WHEEL OPERATOR / 链条轮操作
- PNEUMATIC ACTUATOR / 气动执行器
- HYDRAULIC ACTUATOR / 液压执行器
- ELECTRIC ACTUATOR / 电动执行器
- POSITION INDICATOR / 位置显示器
- LIMIT SWITCHES / 限位开关
- LOCKING / INTERLOCK SYSTEM / 锁紧/连锁系统
- PTFE SOFT SEATS / PTFE软密封阀座
- STEM PROTECTION / EXTENSION / 阀杆保护/延长寿命
- REGULATING DISC / 节流阀瓣
- DOUBLE STAGE DISC / 双阀瓣设计
- STOP CHECK DISC / 止回阀瓣设计
- LIVE LOADED PACKING / 填料压板设计
- DRAIN PLUG / 排污堵头
- BW ENDS / 对焊连接法兰
- ANSI CONNECTIONS / 美标连接法兰

All dimensions in mm (except where differently indicated)

All data, subject to technical changes, are only for information and not for official use.

温州凯煌阀门有限公司 地址：中国浙江省温州市永嘉县瓯北镇  
 KWIN VALVE CO.,LTD Add:Oubei town, YongJia county,WenZhou City, ZheJiang province,China Post code:325102  
 Phone: +86 577 67162399 Fax:+86 67161399 E-mail:dida\_lu@126.com Website: http://ww.kwinvalve.com